



INDICATIVE PHOTO

## General features : SFM022P001

- Self-supporting casing in zinc-plated metal sheet, which is coated with epoxy powder and easily removable panels for fast access to components during inspection or maintenance operations
- Hermetic compressors with thermal motor protection
- Heat exchangers with copper and aluminium blocks
- Capillary expansion up to the model 54
- Condensation by air (optional by water)
- Automatic defrosting with programmable run, duration and frequency settings
- Electronic board that can be programmed according to different user requirements
- Control panel installed in a remote position
- Electronic control panel
- High pressure switch
- Remote control panel (5m)
- Door micro switch with 2,5m long cable
- Cold room light with 2,5m long cable
- Evaporating water tray
- Door heater cable for LBP items with 2,5m long cable
- Power supply cable (L=2,5m)
- Mounting set and overflow tube
- Package included



Indicative photo

## Product file : Refrigerating systems

Code	SFM022P001
Type	Compact
Mounting	Ceiling
Range	SF
Version	-
Expansion	Capillary
Application	MBP
Gas	R290
Net weight	115 kg
Ped	0
Defrost	Hot gas

## Compressor

Type	Hermetic
Voltage	220-240/1/50
Displacement	17,39cm <sup>3</sup>

## Pipe fittings

Liquid diam.	-
Suction diam.	-

## Absorptions

Power consumption	1426 W
Current consumption	9,66 A

## Condenser

Fans no.	2
Diameter	300 mm
Air flow	2281 m <sup>3</sup> /h

## Unit cooler

Fans no.	3
Diameter	200 mm
Air flow	1546 m <sup>3</sup> /h
Air throw	4 m

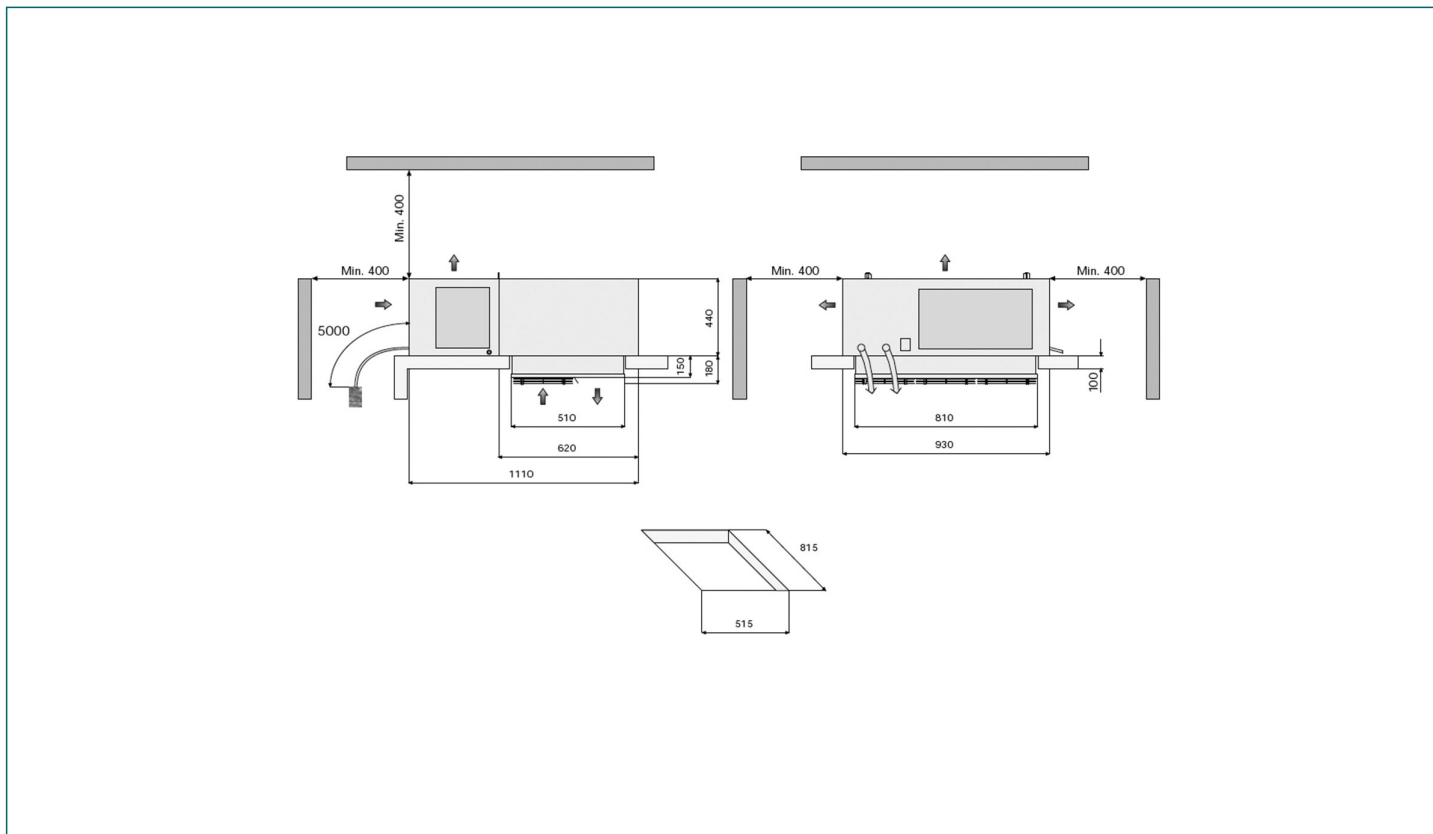
## Data for selection

Ambient temp.	32°C
Cold room temp.	4°C
Gas	R290
Units no.	1
Requested capacity W	2965

## Search results

Total capacity	2965 W
Tolerance	0%

## Technical drawing - SFM022P001



## Refrigerating capacity table (watt) - Gas : R290

Ta \ Tc	-5°C	0°C	5°C
25°C	2443 (21,1 m³)	2833 (27,12 m³)	3251 (41,26 m³)
32°C	2270 (19,48 m³)	2646 (24,33 m³)	3045 (37 m³)
43°C	1989 (15,21 m³)	2339 (19,22 m³)	2705 (29,39 m³)

### Values referred to :

- Suction gas : +0°C (LBP) e +20°C (HBP)
- Subcooling : 0K
- Superheat : 100%
- Compressor absorption :  
 Te -10°C (HBP/MBP); Tcond +50°C  
 Te -30°C (LBP); Tcond +50°C