



INDICATIVE PHOTO

## General features : SFM016P001

- Self-supporting casing in zinc-plated metal sheet, which is coated with epoxy powder and easily removable panels for fast access to components during inspection or maintenance operations
- Hermetic compressors with thermal motor protection
- Heat exchangers with copper and aluminium blocks
- Capillary expansion up to the model 54
- Condensation by air (optional by water)
- Automatic defrosting with programmable run, duration and frequency settings
- Electronic board that can be programmed according to different user requirements
- Control panel installed in a remote position
- Electronic control panel
- High pressure switch
- Remote control panel (5m)
- Door micro switch with 2,5m long cable
- Cold room light with 2,5m long cable
- Evaporating water tray
- Door heater cable for LBP items with 2,5m long cable
- Power supply cable (L=2,5m)
- Mounting set and overflow tube
- Package included



Indicative photo

### Data for selection

Ambient temp.	32°C
Cold room temp.	4°C
Gas	R290
Units no.	1
Requested capacity W	2020

### Search results

Total capacity	2020 W
Tolerance	0%

### Product file : Refrigerating systems

Code	SFM016P001
Type	Compact
Mounting	Ceiling
Range	SF
Version	-
Expansion	Capillary
Application	MBP
Gas	R290
Net weight	74 kg
Ped	0
Defrost	Hot gas

### Compressor

Type	Hermetic
Voltage	220-240/1/50
Displacement	22,37cm <sup>3</sup>

### Pipe fittings

Liquid diam.	-
Suction diam.	-

### Absorptions

Power consumption	878 W
Current consumption	4,61 A

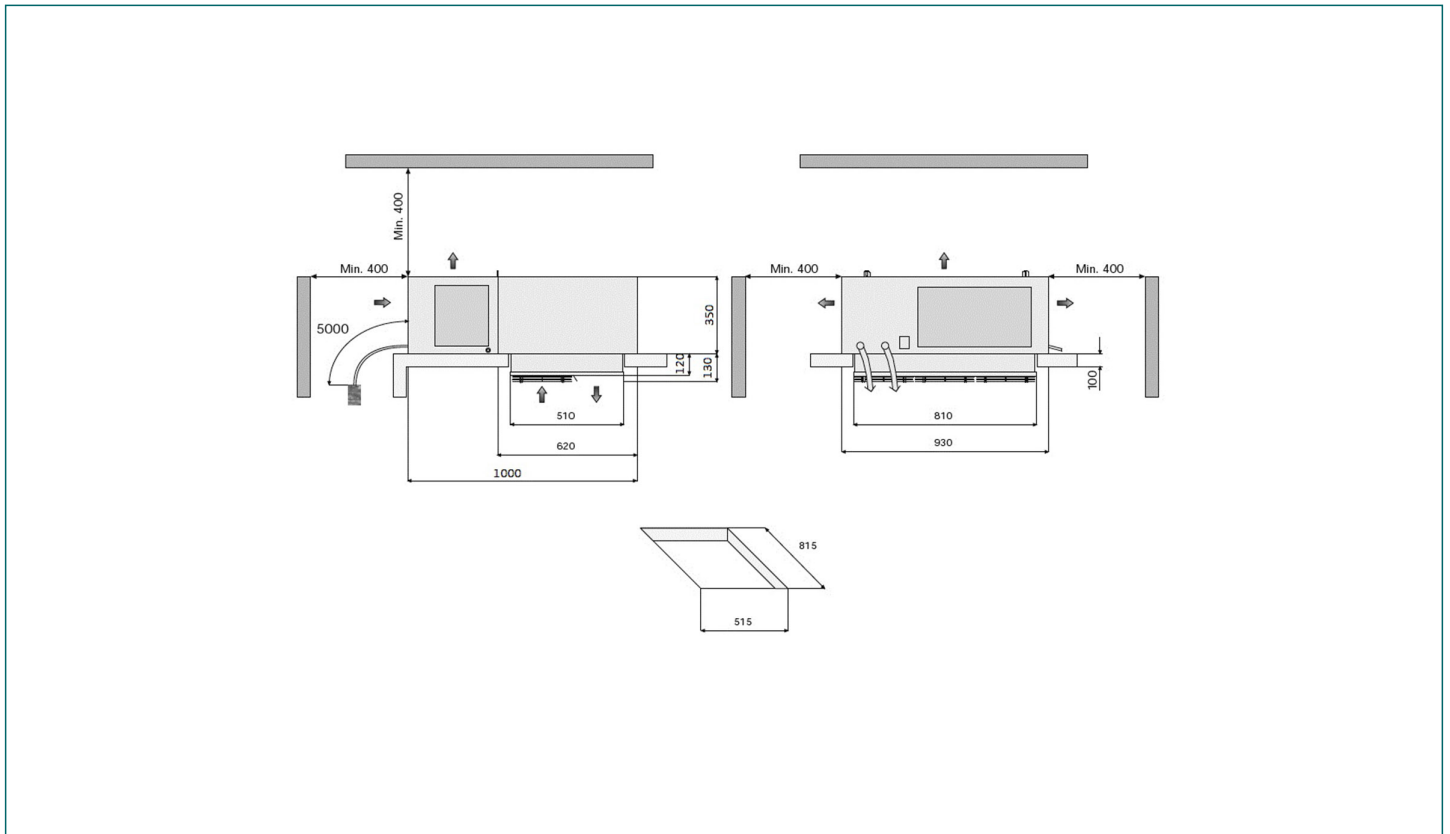
### Condenser

Fans no.	2
Diameter	254 mm
Air flow	1116 m <sup>3</sup> /h

### Unit cooler

Fans no.	2
Diameter	200 mm
Air flow	1069 m <sup>3</sup> /h
Air throw	3,5 m

## Technical drawing - SFM016P001



## Refrigerating capacity table (watt) - Gas : R290

Ta \ Tc	-5°C	0°C	5°C
25°C	1684 (13,26 m³)	1952 (16,75 m³)	2228 (25,21 m³)
32°C	1560 (11,9 m³)	1811 (14,86 m³)	2072 (21,13 m³)
43°C	1352 (9,17 m³)	1575 (11,45 m³)	1814 (17,44 m³)

### Values referred to :

- Suction gas : +0°C (LBP) e +20°C (HBP)
- Subcooling : 0K
- Superheat : 100%
- Compressor absorption :  
 Te -10°C (HBP/MBP); Tcond +50°C  
 Te -30°C (LBP); Tcond +50°C