



INDICATIVE PHOTO

General features : SFL009P001

- Self-supporting casing in zinc-plated metal sheet, which is coated with epoxy powder and easily removable panels for fast access to components during inspection or maintenance operations
- Hermetic compressors with thermal motor protection
- Heat exchangers with copper and aluminium blocks
- Capillary expansion up to the model 54
- Condensation by air (optional by water)
- Automatic defrosting with programmable run, duration and frequency settings
- Electronic board that can be programmed according to different user requirements
- Control panel installed in a remote position
- Electronic control panel
- High pressure switch
- Remote control panel (5m)
- Door micro switch with 2,5m long cable
- Cold room light with 2,5m long cable
- Evaporating water tray
- Door heater cable for LBP items with 2,5m long cable
- Power supply cable (L=2,5m)
- Mounting set and overflow tube
- Package included



Indicative photo

Product file : Refrigerating systems

Code	SFL009P001
Type	Compact
Mounting	Ceiling
Range	SF
Version	-
Expansion	Capillary
Application	LBP
Gas	R290
Net weight	74 kg
Ped	0
Defrost	Hot gas

Compressor

Type	Hermetic
Voltage	220-240/1/50
Displacement	27,8cm ³

Pipe fittings

Liquid diam.	-
Suction diam.	-

Absorptions

Power consumption	802 W
Current consumption	4,91 A

Condenser

Fans no.	2
Diameter	254 mm
Air flow	1116 m ³ /h

Unit cooler

Fans no.	2
Diameter	200 mm
Air flow	1069 m ³ /h
Air throw	3,5 m

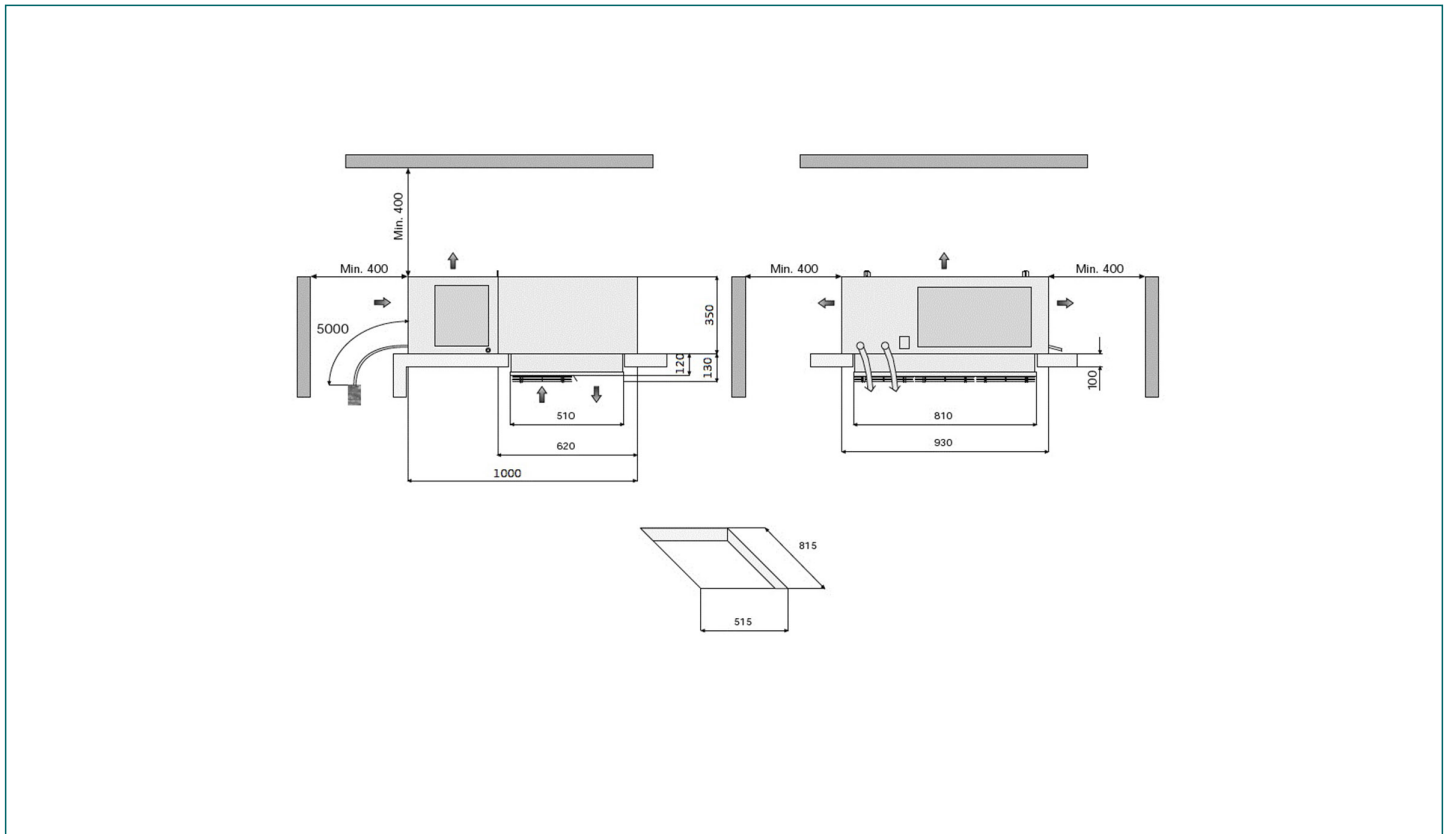
Data for selection

Ambient temp.	32°C
Cold room temp.	-22°C
Gas	R290
Units no.	1
Requested capacity W	1034

Search results

Total capacity	1034 W
Tolerance	0%

Technical drawing - SFL009P001



Refrigerating capacity table (watt) - Gas : R290

Ta \ Tc	-25°C	-20°C	-15°C
25°C	953 (5,8 m³)	1159 (8,7 m³)	1391 (11 m³)
32°C	913 (5,6 m³)	1115 (8,3 m³)	1343 (10,6 m³)
43°C	849 (4,7 m³)	1046 (7,2 m³)	1267 (9,3 m³)

Values referred to :

- Suction gas : +0°C (LBP) e +20°C (HBP)
- Subcooling : 0K
- Superheat : 100%
- Compressor absorption :
 Te -10°C (HBP/MBP); Tcond +50°C
 Te -30°C (LBP); Tcond +50°C